

PG4 Series

DIRECT, LOCAL READINGS



Description

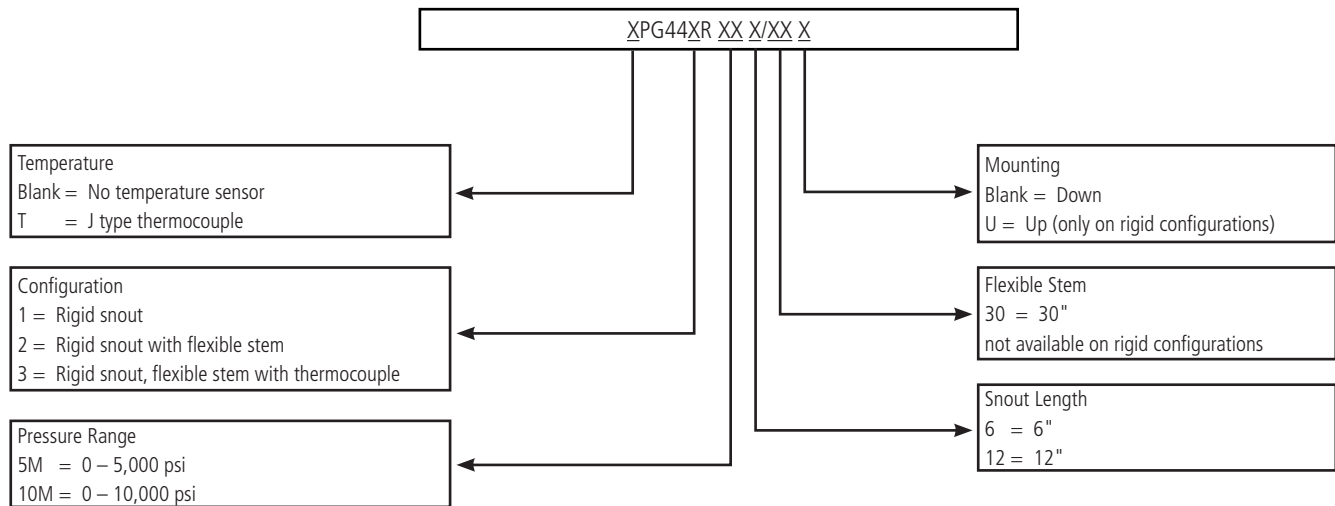
Dynisco's family of mechanical pressure gauges are the ideal choice for applications requiring simple maintenance free pressure indication. Polymer pressure is sensed by a metal diaphragm, mounted flush with the inside surface of the extruder barrel with pressure indicated on the readout gauge. The sealed diaphragm design eliminates the need for grease and prevents melt contamination and gauge plugging. On the rigid snout version the mechanical gauge can be rotated 300° for unobstructed viewing. For applications involving high temperatures or restricted spaces gauges with flexible stems are available so to mount the gauge farther away from the process. Thermocouple or RTD configurations are available to provide melt temperature.

Features

- Direct, local readings
- Mechanical design
- Step-up and stem-down versions
- Gauge head rotates 300°
- 0 - 5,000 or 0 - 10,000 psi
- Stainless steel construction

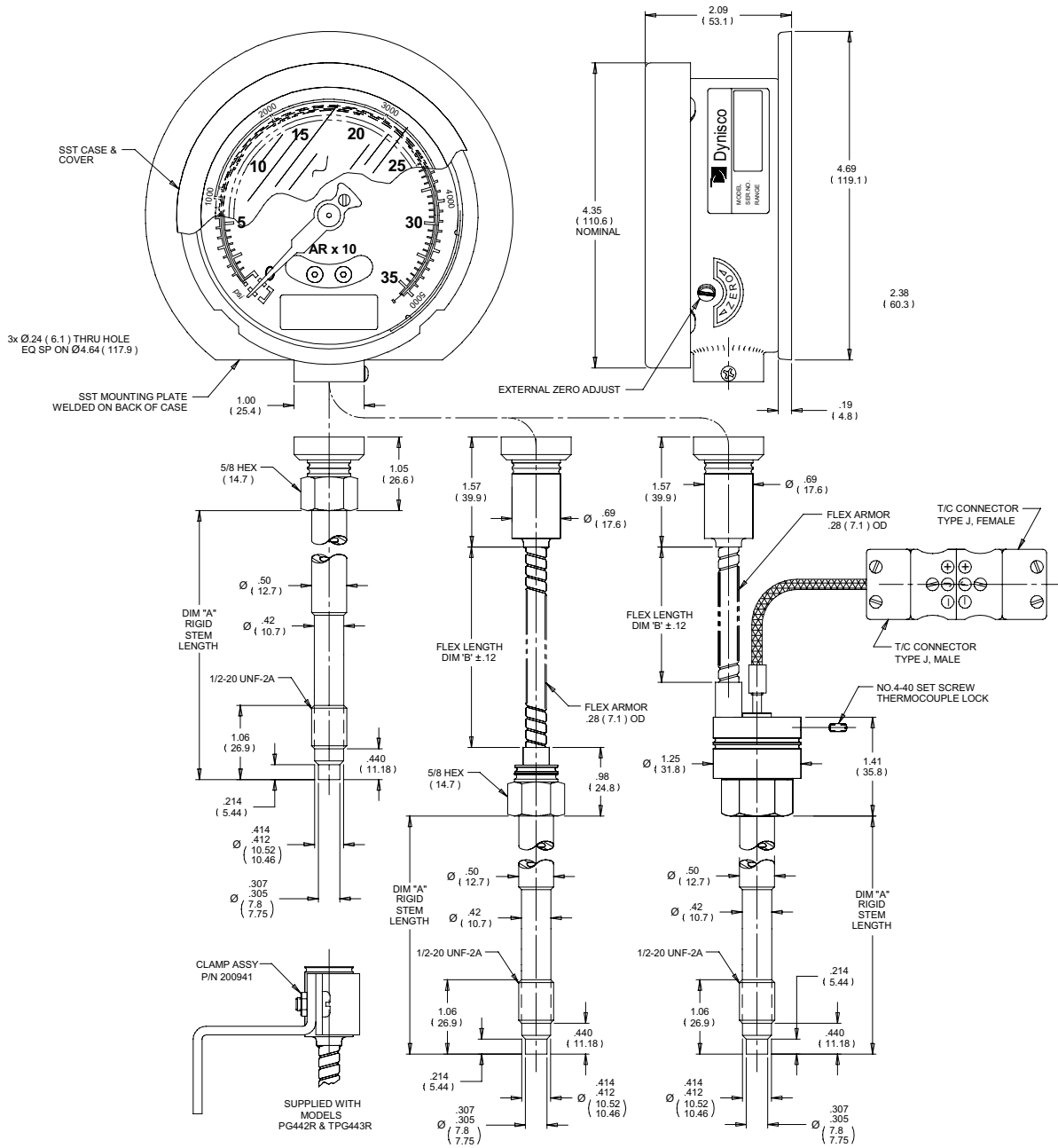
Performance Characteristics	
Combined Error:	+/- 2% FS
Zero Adjustability:	7.5% FS
Maximum Pressure:	1.5 X FS
Needle Sweep:	270°
Thermocouple:	Type J (Standard)
Temperature & Mechanical Characteristics	
Max Diaphragm Temperature:	750°F (400°C)
Maximum Case Temperature:	275°F (135°C)
Case Material:	Stainless Steel with Safety Glass
Mounting Torque:	500 inch/lbs. maximum
Weight:	2-3 lbs. depending on configuration
Standard Wetted Parts:	TiN coated 15-5 PH SST

Ordering Guide for PG4 Series



For other configurations, specials and options not listed please consult factory.

Dimensions



All dimensions are inches (mm) unless otherwise specified.
 ©2016. Dynisco reserves the right to make changes without notice.
 Refer to www.dynisco.com for access to Operator Manual and other support documentation.
 DSPG4
 Rev: 1216



www.dynisco.com



Dynisco
 38 Forge Parkway
 Franklin, MA 02038
 USA

Hotline 1-800-Dynisco
www.dynisco.com
 Phone +1 508 541 9400
 Fax +1 508 541 6206
 Email infoinst@dynisco.com

Dynisco Europe, GmbH
 Pfaffenstr. 21
 74078 Hellbronn
 Germany

Phone +49 7131 297 0
 Fax +49 7131 297 166
 Email dyniscoeurope@dynisco.com

Dynisco Shanghai
 Building 7A, No. 568
 Longpan Rd Malu
 Jiading, 201801 China

Phone +86 21 34074072-819
 Toll Free +86 400 728 9117
 Fax +86 21 34074025